



Cat[®] PMC-V

HUMAN MACHINE INTERFACE FOR PMC-D DRIVE CONTROL SYSTEMS

In face conveyor or plow automation systems the Cat[®] PMC-V provides the human machine interface (HMI) to interact with the PMC-D drive controls to operate manual mode, visualize and change parameters and show actual process values. Within a PMC-D system minimum one and typically up to 3 PMC-Vs are in equal operation.

FEATURES:

- Human machine interface for configuration and customization of the PMC-D/V family
- Diagnostic features for whole system
- Process visualization
- Change of parameters
- Communication link to other systems
- Additional sensor inputs

Main Technical Data

- 320 × 240 pixel b/w graphics display
- IP 68
- Power: 12 W
- 12 SKK24 sockets for power supply, communication, sensors and actuators
- Optional additional Profibus communication channel for communication with third party computer

Global Certifications

- Europe: ATEX
- U.S.: MSHA
- Russia: GOST
- Australia: IECEx, ANZEx
- China: MA
- More certifications on demand

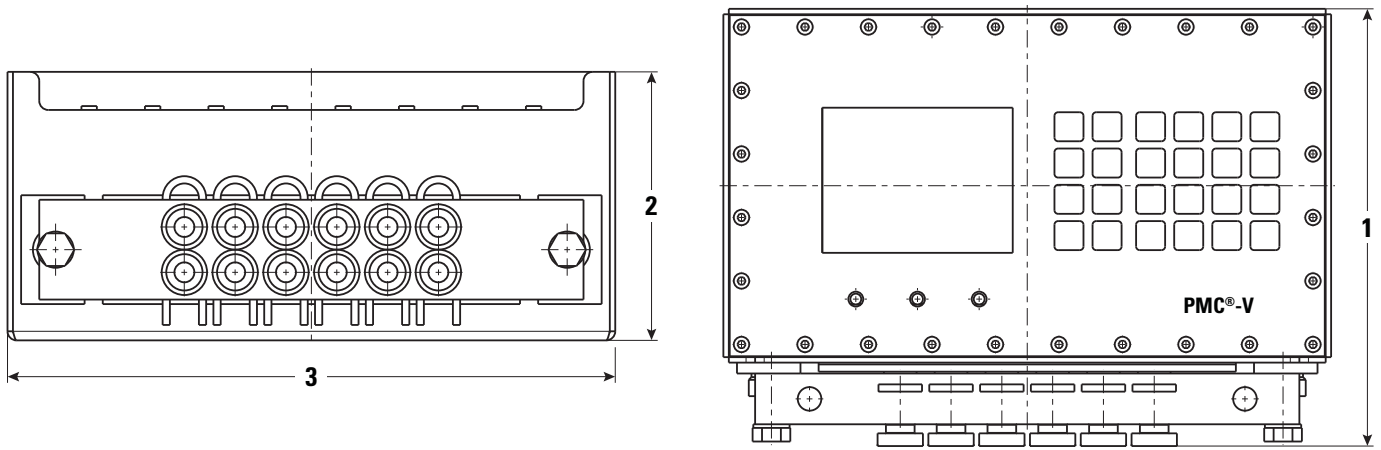
Electrical Data

Parameter	Typical Value	Maximum Ratings
Supply Voltage	12 V DC	9.5 V – 13.2 V
Supply Current	1 A	1.5 A

Environmental Data

Parameter	Symbol	Typical Value	Maximum Ratings
Temperature	T _{amb}	20° C (68° F)	-20° C – +40° C (-4° F – +104° F)

PMC-V Human Machine Interface for PMC-D Drive Control Systems



Dimensions (All dimensions are approximate.)

1 Width	241 mm	9.49 in
2 Height	148 mm	5.83 in
3 Length	335 mm	13.19 in

Electrical Sockets

Socket	Pin 1	Pin 2	Pin 3	Pin 4
St1	Optocoupler Anode	Relay Contact NO: a	Relay Contact NO: b	Optocoupler Kathode
St2	+12 V (A)	Serial Interface: RxD	Serial Interface: TxD	GND
St3	+12 V (B)	Serial Interface: RxD	Serial Interface: TxD	GND
St4	+12 V (C)	Serial Interface: RxD	Serial Interface: TxD	GND
St5	Options	Options	Options	Options
St6		Profibus: a (internal)	Profibus: b (internal)	
St7	+12 V Input	Serial Interface: TxD	Serial Interface: RxD	GND Input
St8	+12 V (B)	Measurement Input 1	+8.2 V	GND
St9	+12 V (C)	Measurement Input 2	+8.2 V	GND
St10	+12 V (A)	Measurement Input 3	+8.2 V	GND
St11	Options	Options	Options	Options
St12		Profibus: a (internal)	Profibus: b (internal)	

Options

The designations of the options equal the second and third to last characters of the type designation listed on the equipment.

Option	Socket	Pin 1	Pin 2	Pin 3	Pin 4
**	St5				
	St11				
AB	St5		Profibus: a (external)	Profibus: b (external)	
	St11		Profibus: a (external)	Profibus: b (external)	

For more complete information on Cat products, dealer services, and industry solutions, visit us on the web at www.cat.com

© 2014 Caterpillar
All Rights Reserved
Printed in U.S.A.

Materials and specifications are subject to change without notice. Featured machines in photos may include additional equipment. See your Cat dealer for available options.

CAT, CATERPILLAR, SAFETY.CAT.COM, their respective logos, "Caterpillar Yellow" and the "Power Edge" trade dress, as well as corporate and product identity used herein, are trademarks of Caterpillar and may not be used without permission.

AEHQ7149-02 (07-14)
Replaces AEHQ7149-01

